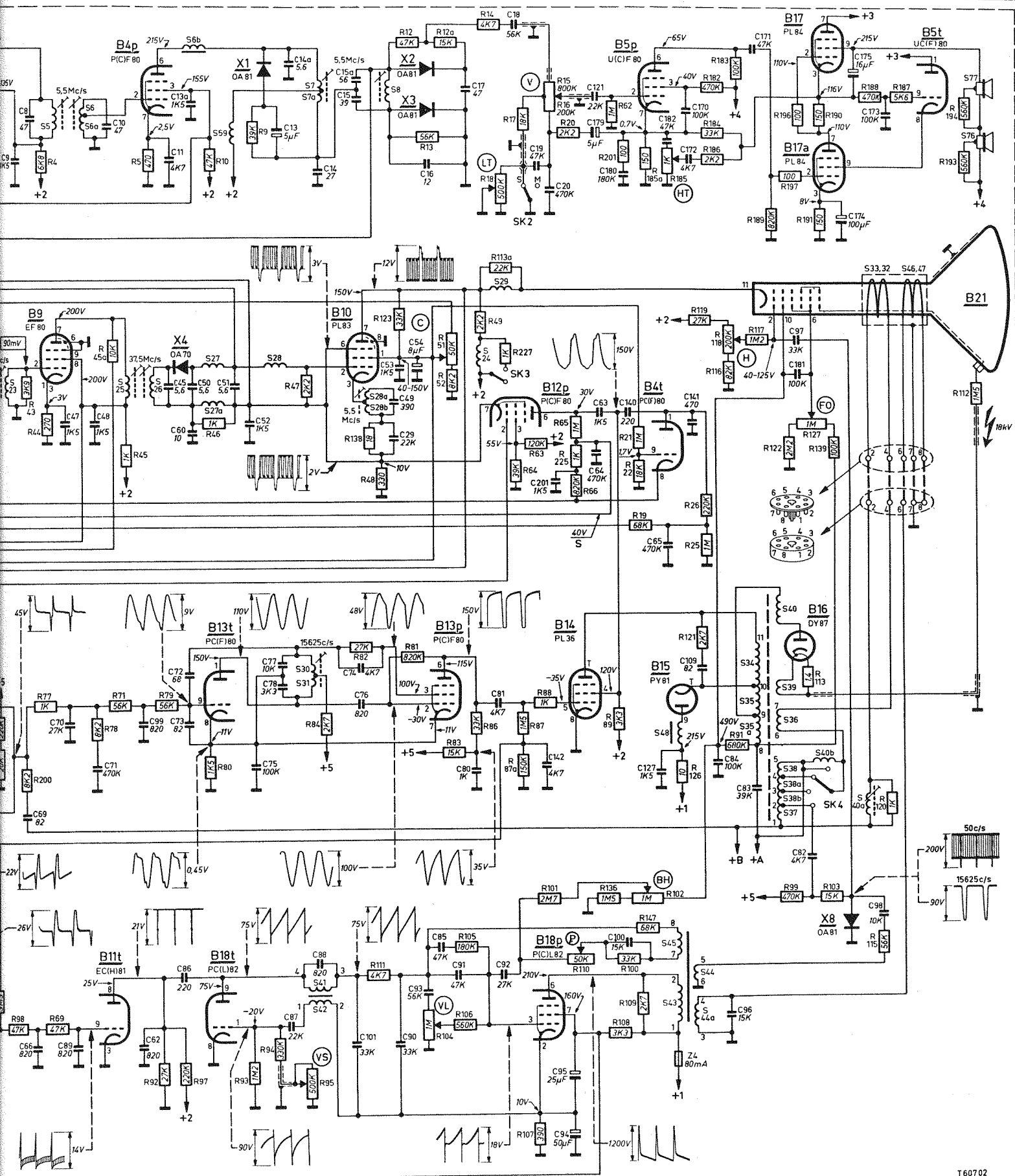


23	5.	6.6a	25.	26.	6b	27,27a,59.	28.	7.7a.	28a,28b.8.	24.	29.		18.	19,20,21.	121,63,64,179,180,140.	65.	172,141,170.	171.	97,181.	174,175,173.	33,32.	46,47.	76,77.
9	8.	4.7	4.8	13.	11,45,13a,60,50,51.	45,10.	52.	13,14a.	14,15,15a.	53,29,49,54,16.	17.	18.	19,20,21.	121,63,64,179,180,140.	65.	172,141,170.	171.	97,181.	174,175,173.	33,32.	46,47.	76,77.	
43,44,4,45a,45,5,45,10,9,47,138,48,123,12,13,51,52,12a,14,18,49,113a,17,27,64,63,65,22,51,16,20,66,20,62,21,22,19,185a,185,183,25,26,187,184,186,118,116,183,117,183,127,196,197,191,190,139,188,187,193,194,112.																							



																						30,31,41,42.																							48,43,45,	44,44a,36,35,35a,36,37,38,38a,38b,39,40,40b,	48a.
66,69,70,89.	71.	62,99,72,73,86.	75,77,78,87.	88.	101,74,76.	90,93.	85,91,80.	81,92.	142,94,95.	100.	127.	109.	84,96,83.	82.	98.																																
73,98,	200,77,69.	78,71.	92,79,97.	80,93.	94.	84,95.	82,111.	81,104.	83,106,105,86.	87a,107,87,88,101.	110,136,69,108,109,100,147.	102,126,121.	91.	99.	113,103.	115,120.																															

T60702